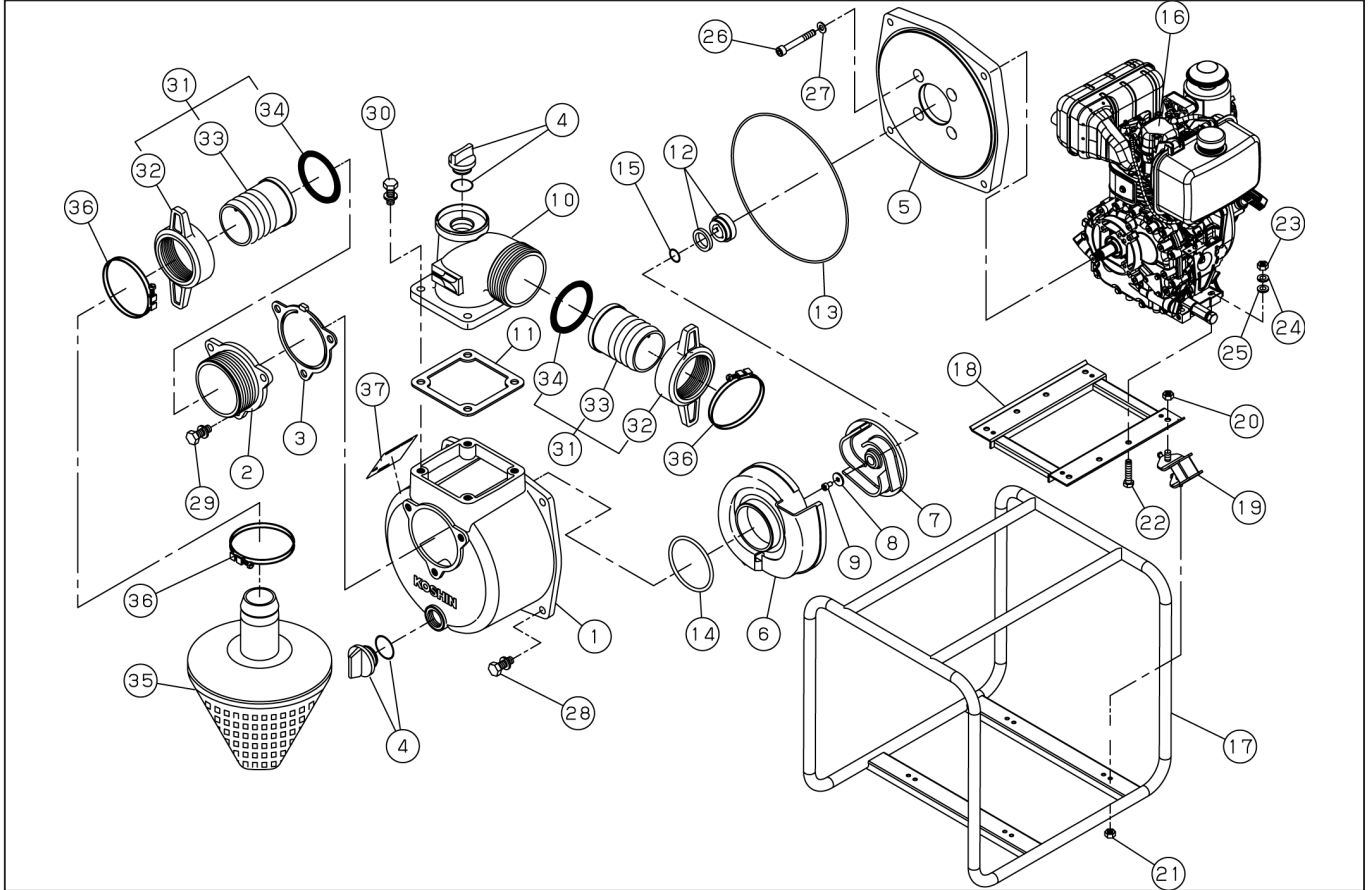


DWG No.013859501 MODELE:SEV-50D FORM:SEV-50D-BAC-0 (KD300)

No.	PARTS CODE	PARTS NAME	QTY	MATERIAL/SIZE	REMARKS
1	0120195	PUMP CASE	1	ADC	
2	0112662	SUCTION FLANGE	1	ADC	
3	0112665	CHECK VALVE	1	NBR	
4	0118078	20A PLUG SET	2		
5	0123098	FRANGE BRACKET	1	ADC	
6	0123099	VOLUTE CASING	1	FC200	
7	0123567	IMPELLER	1	FC200	
8	0116173	WASHER	1	$\phi 6.5 \times \phi 22 T=2.0$	
9	734105273	SOCKET BOLT	1	LEFT SCREW M6 \times 15 SUS	
10	0110556	DELIVERY FLANGE	1	ADC	
11	0123234	FLANGE PACKING	1	NBR	
12	0115159	MECHANICAL SEAL	1		
13	0123213	O-RING	1	NBR	
14	0112792	O-RING	1	NBR	
15	0110491	IMPELLER ADJUSTING WASHER	3	BSP1 T=0.3	
16	-	DIESEL ENGINE	1	KD300	
17	0127409	BASE ASSY	1		
18	0127411	DAMPING BASE ASSY	1		
19	0123577	CUSHION RUBBER	4		
20	0123614	NUT	4	M8	
21	0123615	NUT	4	M10 \times 1.25	
22	0123616	BOLT	4	M10 \times 45	
23	0123617	NUT	4	M10	
24	0123618	SPRING WASHER	4		
25	0123619	WASHER	4	$\phi 10 \times \phi 20 T=1.6$	
26	734532074	SOCKET BOLT	4	M8 \times 50 SCM	
27	854255008	SEAL WASHER	4	$\phi 8$	
28	743119046	BOLT	4	M8 \times 22 SWRM	
29	743119045	BOLT	3	M8 \times 20 SWRM	
30	743119047	BOLT	4	M8 \times 25 SWRM	

◆ Bare engine can not be supplied



DWG No.013859501 MODELE:SEV-50D FORM:SEV-50D-BAC-0 (KD300)

No.	PARTS CODE	PARTS NAME	QTY	MATERIAL/SIZE	REMARKS
31	0127122	COUPLING SET	2		
32	0122496	COUPLING	2	ABS	
33	0122497	NIPPLE	2	ABS	
34	0113391	COUPLING PACKING	2	NBR	
35	0127123	STRAINER SET	1	PP	
36	940019060	HOSE BAND	3	φ 60	
37	0123707	NAME PLATE	1		

◆ Bare engine can not be supplied