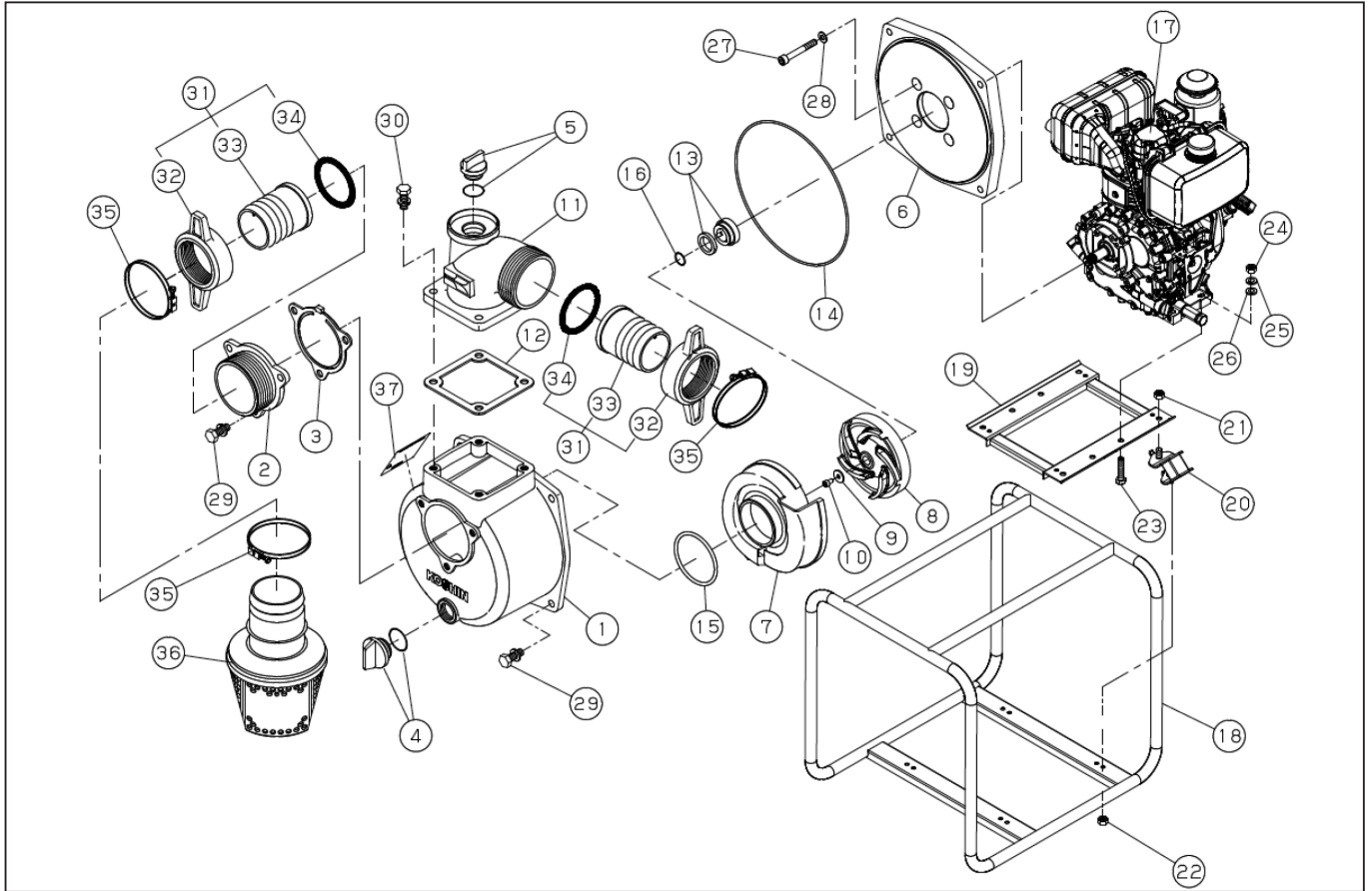


DWG No.013859601 MODEL : SEV-80D FORM : SEV-80D-BAC-0 (KD300)

No.	PARTS CODE	PARTS NAME	QTY	MATERIAL/SIZE	REMARKS
1	0120196	PUMP CASING	1	ADC	
2	0112797	SUCTION FLANGE	1	ADC	
3	0112799	CHECK VALVE	1	NBR	
4	0118078	20A PLUG SET	1		
5	0118079	25A PLUG SET	1		
6	0123109	FRANGE BRACKET	1	ADC	
7	0123110	VOLUTE CASING	1	FC200	
8	0123568	IMPELLER	1	FC200	
9	0116173	WASHER	1	$\phi 6.5 \times \phi 22 T=2.0$	
10	734105273	SOCKET BOLT	1	LEFT SCREW M6 \times 15 SUS	
11	0110570	DELIVERY FLANGE	1	ADC	
12	0110584	FLANGE PACKING	1	CR	
13	0115159	MECHANICAL SEAL	1		
14	0123214	O-RING	1	NBR	
15	0113989	O-RING	1	NBR	
16	0110491	IMPELLER ADJUSTING WASHER	3	BSP T=0.3	
17	-	DIESEL ENGINE	1	KD300	
18	0127409	BASE ASSY	1		
19	0127411	DAMPING BASE ASSY	1		
20	0123577	CUSHION RUBBER	4		
21	0123614	NUT	4	M8	
22	0123615	NUT	4	M10 \times 1.25	
23	0123616	BOLT	4	M10 \times 45	
24	0123617	NUT	4	M10	
25	0123618	SPRING WASHER	4		
26	0123619	WASHER	4	$\phi 10 \times \phi 20 T=1.6$	
27	734532070	SOCKET BOLT	4	M8 \times 35 SCM	
28	854255008	SEAL WASHER	4	$\phi 8$	
29	743119061	BOLT	7	M10 \times 25 SWRM	
30	743119063	BOLT	4	M10 \times 30 SWRM	

◆ Bare engine can not be supplied



DWG No.013859601 MODEL : SEV-80D FORM : SEV-80D-BAC-0 (KD300)

No.	PARTS CODE	PARTS NAME	QTY	MATERIAL/SIZE	REMARKS
31	0127125	COUPLING SET	2		
32	0122500	COUPLING	2	ABS	
33	0122501	NIPPLE	2	ABS	
34	0123216	COUPLING PACKING	2	NBR	
35	940019090	HOSE BAND	3	φ 90	
36	0127126	STRAINER SET	1	PP	
37	0123708	NAME PLATE	1		

◆ Bare engine can not be supplied