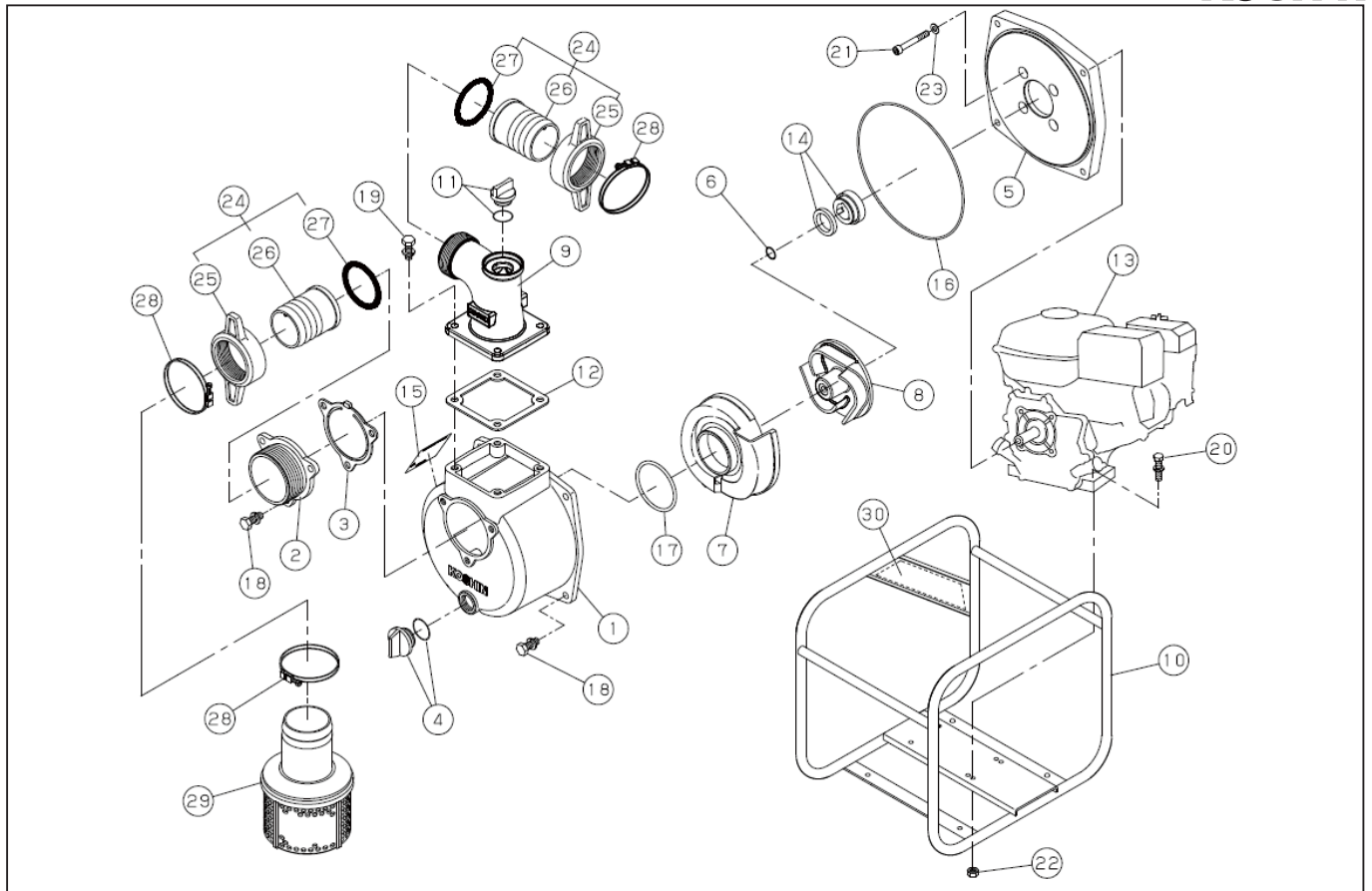


DWG No.066869903 MODEL : STH-80E FORM : STH-80E-BAA-0

No.	PARTS CODE	PARTS NAME	QTY	MATERIAL/SIZE	REMARKS
1	0121336	PUMP CASE	1	ADC	
2	0112797	SUCTION FRANGE	1	ADC	
3	0112799	CHECK VALVE	1	NBR	
4	0118078	20A PLUG SET	1		
5	0115269	FLANGE BRACKET	1	ADC	
6	0115510	ADJUSTING WASHER	3	BSP T0.3	
7	0115541	VOLUTE CASING	1	FCD450	
8	0120145	IMPELLER	1	FCD450	
9	0110570	DELIVERY FLANGE	1	ADC	
10	0128301	BASE SET	1	BLACK	
11	0118079	25A PLUG SET	1		
12	0123206	FLANGE PACKING	1	CR	
13	0116807	ENGINE	1	HONDA GX160	
14	0120596	MECHANICAL SEAL	1	HJ-20(B)BSIC	
15	0123330	NAME PLATE	1		
16	0123214	O-RING	1	1517-46.5 NBR	
17	0113989	O-RING	1	P74 NBR	
18	743119061	BOLT	7	M10 × 25 SWRM	
19	743119063	BOLT	4	M10 × 30 SWRM	
20	743119053	BOLT	4	M8 × 40 SWRM	
21	734532066	SOCKET BOLT	4	M8 × 25 SCM	
22	827419008	NUT	4	M8 SWRM	
23	854255008	SEAL WASHER	4	φ 8	
24	0117028	COUPLING SET	2	ABS	
25	0114375	COUPLING	2	ABS	
26	0110301	NIPPLE	2	ABS	
27	0123216	COUPLING PACKING	2	NBR	
28	940019090	HOSE BAND	3	φ 90	
29	0118195	STRAINER SET	1	PP	
30	0122714	SIDE PANEL LABEL	1		

◆ Bare engine can not be supplied



DWG No.066869903 MODEL : STH-80E FORM : STH-80E-BAA-0

No.	PARTS CODE	PARTS NAME	QTY	MATERIAL/SIZE	REMARKS
	0115367	MANUAL	1		
	0123327	MANUAL(SPEC)	1		

◆ Bare engine can not be supplied