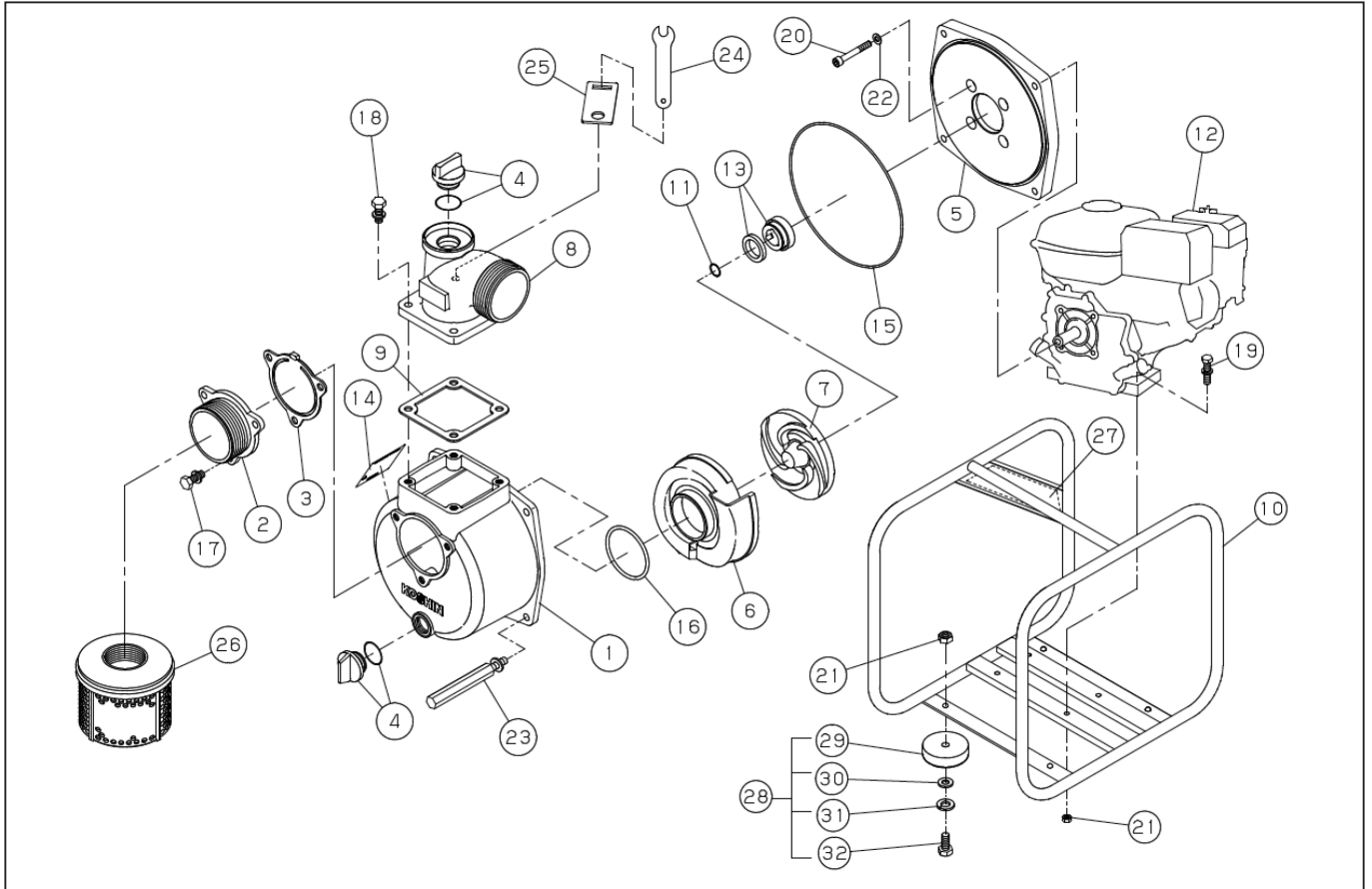


DWG No.013858001 MODELE : STV-50E FORM : STV-50E-BAC-0 (K210S)

No.	PARTS CODE	PARTS NAME	QTY	MATERIAL/SIZE	REMARKS
1	0120195	PUMP CASING	1	ADC	
2	0112822	SUCTION FLANGE	1	ADC (NPT)	
3	0112665	CHECK VALVE	1	NBR	
4	0118078	20A PLUG SET	2		
5	0114027	FLANGE BRACKET	1	ADC	
6	0115169	VOLUTE CASING	1	FCD450	
7	0121342	IMPELLER	1	FCD450	
8	0120687	DELIVERY FLANGE	1	ADC (NPT)	
9	0123234	FLANGE PACKING	1	NBR 70°	
10	0127466	BASE SET	1		
11	0110491	IMPELLER ADJUSTING WASHER	3	C2801P	
12	-	ENGINE	1	K210S	
13	0115159	MECHANICAL SEAL	1	φ 20	
14	0123662	NAME PLATE	1		
15	0123213	O-RING	1	NBR 1517-42.5	
16	0112792	O-RING	1	NBR P54	
17	743119045	BOLT	3	SWRM M8 × 20	
18	743119047	BOLT	4	SWRM M8 × 25	
19	743119053	BOLT	4	SWRM M8 × 40	
20	734532076	SOCKET BOLT	4	SCM M8 × 60	
21	827419008	NUT	8	SWRM M8	
22	854255008	SEAL WASHER	4	φ 8	
23	0123202	LONG BOLT	4	M8 × 118	
24	0115185	SPANNER	1	13MM	
25	0115230	SPANNER HOLDER	1		
26	0111893	STRAINER	1	SPC	
27	0122307	SIDE PANEL LABEL	1		
28	0117345	CUSHION RUBBER SET	1		
29	0110515	CUSHION RUBBER	4	EPDM	
30	846007008	WASHER	4	φ 8	

◆ Bare engine can not be supplied



DWG No.013858001 MODELE : STV-50E FORM : STV-50E-BAC-0 (K210S)

No.	PARTS CODE	PARTS NAME	QTY	MATERIAL/SIZE	REMARKS
31	843822008	SPRING WASHER	4	φ 8	
32	735719148	BOLT	4	M8 × 20	

◆ Bare engine can not be supplied